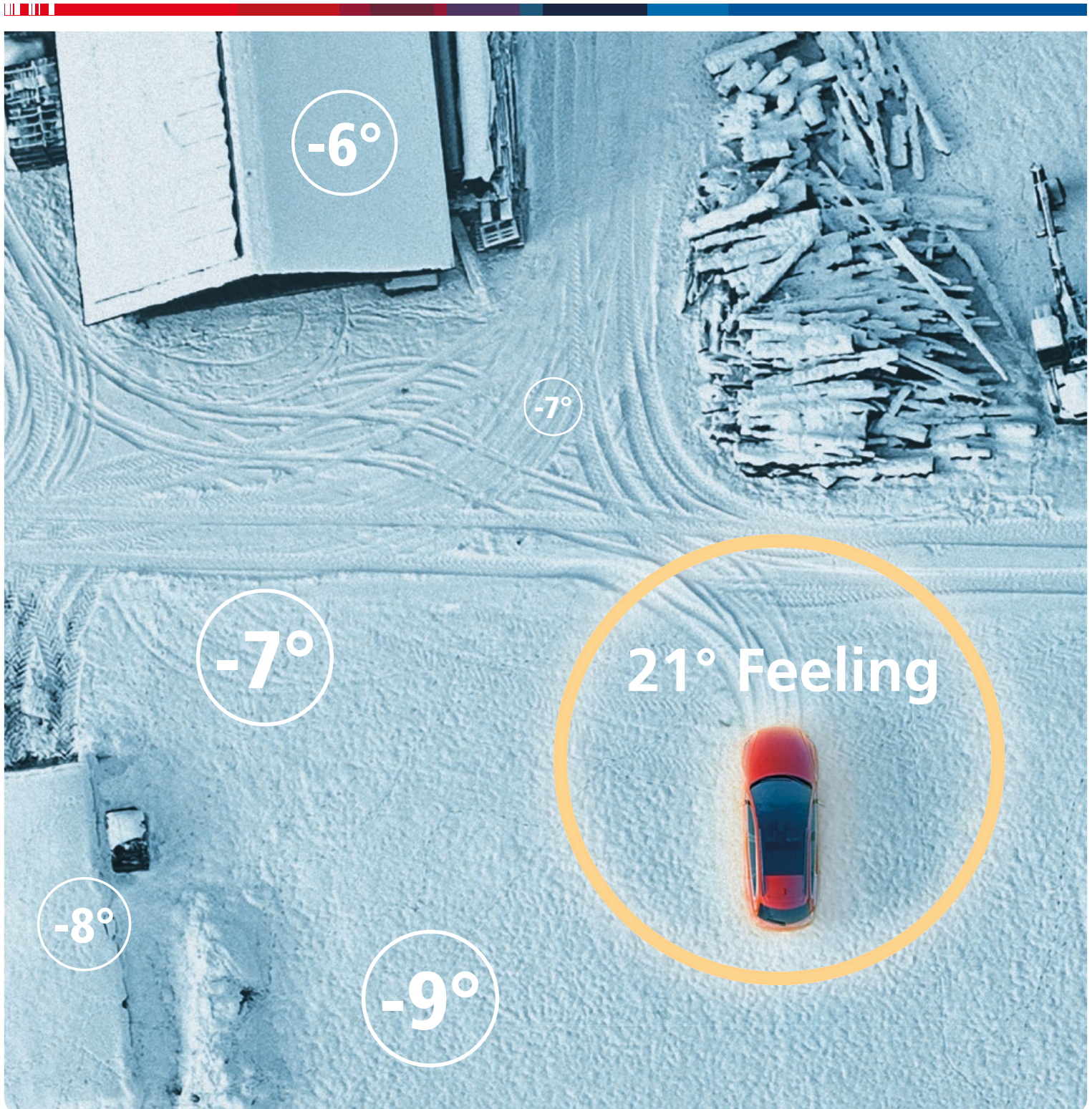


# Webasto Means Feel-Good Climate

Parking heaters from the market leader







# What is that 21° Feeling?

The 21° feeling is not actually a temperature.

It could be that right now you feel particularly good at 22.3°, but tonight you would prefer a temperature of 19.8°

But we know as a fact that all people tend to prefer temperatures ranging from 20° to 23°.

That's why we see 21° as more of a symbol. A symbol for a perfect state of being. A symbol of constant physical well-being.

No matter how freezing cold it is outdoors. Webasto parking heaters provide for a perfect 21° feeling in your car.



# Unreachable in Quality and Individual Comfort



## 21° Feeling in Any Weather

Webasto parking heaters are true all-rounders when it comes to feel-good climate! Is there anything nicer than getting into a warm car on a cold and wet or snowy day, and driving off with clear visibility? Or on hot days, being greeted by crisp, fresh air wafting through the interior thanks to the ventilation feature? Treat yourself to this comfort and enjoy the 21° Feeling in your car – in any season!

### Our comfort promise: 21° Feeling in your car

Our parking heaters are the highest performance in their class, providing powerful heating and de-icing windows faster than others. To ensure that it remains this way, we are constantly developing and enhancing our products, seeking new and forward-looking solutions to maximize your feel-good comfort.

Having clear windows and cozy temperatures in the interior, are not a matter of the size of the car or your budget. Webasto offers superior heating solutions for every type of motor vehicle and every possible individual need. So your drive is always relaxed and safe.

### For hybrid vehicles too, of course

Webasto parking heaters can also be retrofitted in hybrid motor vehicles. So you don't have to forgo any comfort at all! A special plus: Use the auxiliary heating feature of the parking heater while driving, thereby protecting your car battery. This way you can expand the range of your electrically powered driving.

## Award-Winning Performance and Quality from the Market Leader

When you decide on Webasto, you are making the right choice. As the market leader, it is particularly important to us to provide you with outstanding quality solutions. Because only the best is good enough for us – for you and your car.



Comparative tests of the TÜV SÜD show that the Webasto Thermo Top Evo heating solutions work significantly more efficiently than comparable competitive products. They defrost the windshield faster while consuming less fuel and power.



The readers of auto motor und sport have already eleven times chosen Webasto as the best brand in the category parking heaters.



For the 6th time, Webasto is the winner of the AutoBILD reader survey, "The best brands in all classes!" 2017/18" 04/2017.



AutoZeitung readers agree: In 2017 Webasto is the top brand for parking heaters!





21° Feeling

## Brand New: The eThermo Top Eco Electric Parking Heater

**Finally Electrical! The innovative new heater heats the engine and interior with the comfort we are familiar with from Webasto.**

Windows quickly cleared of ice and a powerfully preheated engine: The new eThermo Top Eco provides well-known Webasto heating comfort. And while it's running it even charges the car battery.

### **Strong performance and great comfort**

All it takes to operate the eThermo Top Eco is a conventional 230 V outlet. It can be started at any time when the vehicle is connected to the power source with its charging cable. Depending on the fuse protection of your home connection, you can choose from two versions (2 kW and 3 kW).

### **Greatest ease of use**

The new eThermo Top Eco can be conveniently controlled and operated by the familiar Webasto control units (find out more starting on page 14) or by a timer switch on the power outlet.

### **One heater for the engine and the interior**

Finally, no more bothersome auxiliary device in the foot area or interior of the motor vehicle. The eThermo Top Eco is installed in the engine compartment and simultaneously heats the engine and the vehicle interior. Just as a fuel-powered parking heater, the heater is integrated into the coolant circuit of the vehicle. A circulation pump provides for the uniform heating of the vehicle engine. At the same time, the vehicle fan blows the warm air flow into the passenger compartment and directly onto the windshield, which is therefore de-iced in record time. Auxiliary devices and installations in the interior are not necessary – an innovative new feature as compared to conventional air heaters.

### **Clear visibility in no time at all**

Safety provided by an unobstructed view, entirely without additional devices in the interior! The vehicle fan directs the heated air right to the windshield and completely de-ices it at external temperatures of -10°C within 60 minutes.\* In addition, thanks to the fresh air supply, the ambient air is pleasantly dehumidified and fogged windows dry off. Furthermore, the minute the engine is started, warm air is conducted into the vehicle interior via the preheated air-conditioner. The result is superlative climate comfort.



### **Everything included**

The scope of delivery includes the heater as well as the 230 V connector cable.

\* Depending on the vehicle



### Battery trickle charge feature included

The eThermo Top Eco protects battery performance and helps ensure a secure engine start: The trickle charge function is automatically activated as soon as the parking heater starts to run. This compensates for the energy from the battery that is required to operate the vehicle fan. Therefore, operating the parking heater without putting a strain on the battery is guaranteed. That is a major advantage, especially for short distance drivers!

### Can be operated in enclosed spaces

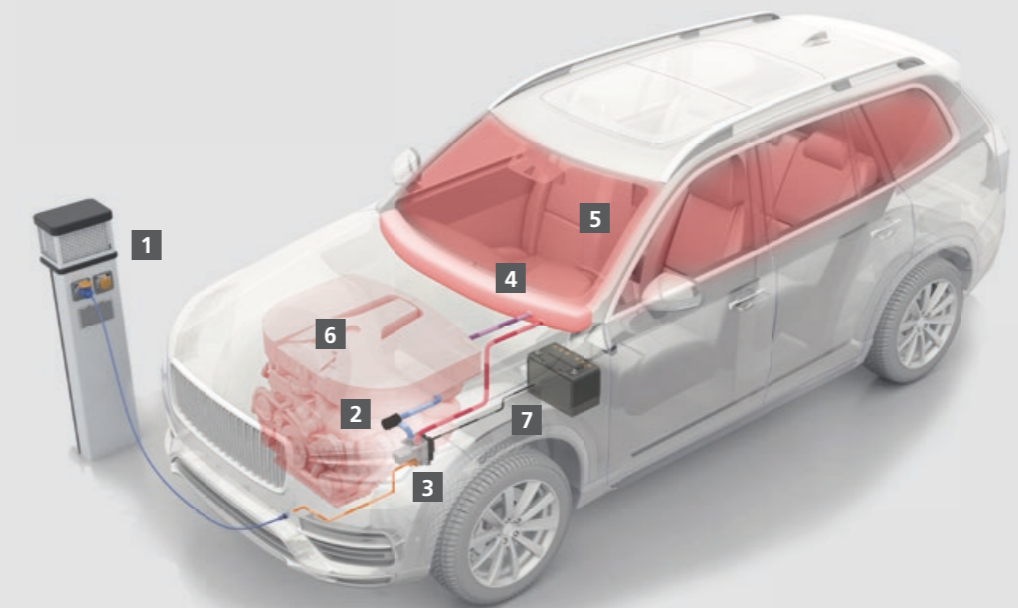
Another benefit of the electrically powered eThermo Top Eco: No emissions whatsoever are generated while it is (pre-)heating. Thus, the heater can also be operated in enclosed areas – a major advantage, especially for garage owners.

### Less impact on the environment and the engine

No emissions while preheating, fewer pollutants emitted thanks to a warm start: The eThermo Top Eco also contributes to keeping the air pollution control. Moreover, you avoid burdensome cold starts, thereby protecting the engine.\*

### Webasto quality at an attractive price

Finally there's also an electric version of Webasto premium quality – and it comes with an impressive price performance ratio. Now is the time to request an individual quote from your Webasto installation partner.



### This is how the Webasto eThermo Top Eco works

- 1 Power source 230 V outlet.
- 2 The circulation pump conducts the coolant through the parking heater, vehicle heater, engine and back.
- 3 The coolant is heated up in the parking heater.
- 4 The coolant gives off the warm air in the heat exchanger of the vehicle's heater.
- 5 The heated air is conducted into the interior by the vehicle's fan.
- 6 The coolant is transported on to the engine and heats it up as well.
- 7 Trickle charge of the vehicle battery during heating operation.

\* Depending on the vehicle



# Superbly Proven: The Fuel Operated Thermo Top Evo Family

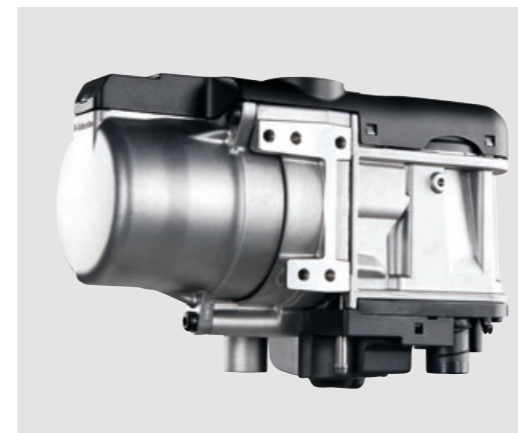
21° Feeling



**A maximum of comfort thanks to reliable technology and intelligent services: That is what characterizes the Thermo Top Evo parking heater generation. Their heat output is powerful and they operate efficiently – with exceptionally little fuel and power consumption.**

Getting right into a warm car, instead of freezing – the Webasto parking heater enhances comfort in the cold season and increases safety by providing for a warm and cozy interior, clear windows and a preheated engine.

The extra benefit of preheating the engine: No more cold starts and the engine is subjected to less wear and tear since it is already at operating temperature when a drive begins. Moreover, a warm engine consumes less fuel and emits fewer pollutants.



## **Perfect Feel-Good Climate – Regardless of Where You're on the Road**

The Thermo Top Evo is available in three performance classes – 4, 5 and 5+ – and thus provides the optimal solution for every car size. As the most powerful heater in its class, the Thermo Top Evo 5+ heats even large vehicle interiors quickly and efficiently.

## **More personalized preheating: For short-distance drivers and individualists**

Webasto has developed two add-on kits for the Thermo Top Evo 4 and 5, to serve all who need particularly short preheating times or want highly variable heating options: Webasto Individual Quick and Webasto Individual Select.

### **For short and spontaneous drives: Individual Quick**

The Webasto Individual Quick add-on kit concentrates all the heating power on the passenger compartment and on de-icing the windshield. The result: A warm interior after only about 15 minutes instead of the usual 30 minutes. The trick: The parking heater is integrated into the heating circuit, the engine is left out.

### **For real freedom of choice: Individual Select**

Do you want to preheat in different ways, depending on your drive? The Individual Select add-on kit gives you a choice of three heating variants:

#### **1. Interior mode**

All the heating power is concentrated on the interior, put substantially less strain on the battery and provides for cozy warmth and ice-free windows in only 15 minutes.

#### **2. Standard mode for simultaneously preheating the engine and interior**

#### **3. Combination mode for time-delay preheating**

First the passenger compartment is brought up to the desired temperature, then engine preheating is initiated.

\* Depending on the vehicle



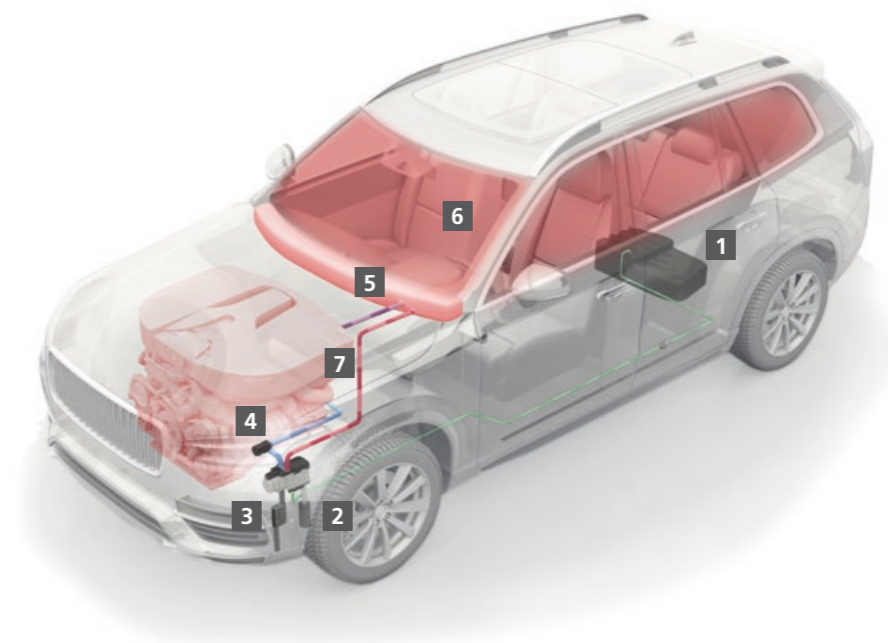


### More heating power for retrofitting

On really cold days, many motor vehicles with high-efficiency engines encounter problems with adequately heating the interior while driving. This is particularly the case with diesel-fueled vehicles, cars with large interior as well as cars with an automatic start-stop feature. To complement the Thermo Top Evo, Webasto provides an auxiliary heating feature for these models. It allows the parking heater to keep running independently while driving, thereby ensuring that the desired feel-good comfort is maintained.

### Upgrade kit for diesel vehicles

Many diesel vehicles come from the factory equipped with an auxiliary heater. With a Webasto upgrade kit it can be upgraded to a full-fledge parking heater with little cost and minimal effort. So you can enjoy the full heating performance, even while parked, along with the complete selection of control units.



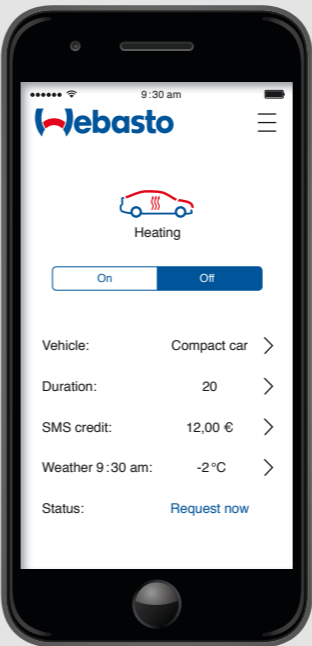
### This is how the Webasto Thermo Top Evo functions

- 1** Fuel is conducted from the gasoline tank to the parking heater.
- 2** The parking heater fan draws fresh air to ignite the fuel-air mix.
- 3** The circulation pump propels the coolant through the parking heater, vehicle heater, the engine and back.
- 4** The coolant is heated up in the parking heater.
- 5** The coolant gives off the heat in the heat exchanger of the vehicle heater.
- 6** The heat is conducted into the interior via the vehicle fan.
- 7** The coolant is transported on to the vehicle engine and heats it up as well.





## Preheating exactly as you like



The ThermoCall control unit is available in two versions.

### ThermoCall Entry

With the basic model you control your parking heater with the on/off function.

### ThermoCall Advanced

You have totally personalized control of the operation of your parking heater with the comfort model and its variety of control functions:

- Preprogramming for seven days in advance
- Choose from heating, ventilation and automatic settings
- Weather alert when the weather is unpleasant
- Display of account balance on the ThermoCall SIM card\*
- Control several vehicles
- Search for the nearest Webasto partners

#### For even more personalization

For parking heaters with the Individual Select add-on kit, the app operating menu lets you select the various preheating options.

\* To operate the ThermoCall you need a SIM card with a sufficient balance. Depending on your contract type, the connectable feedback function incurs text message costs.

# ThermoCall: The Mobile Parking Heater Operating Control

Start the parking heater at any time and from anywhere:  
With the ThermoCall app you are totally independent.

### How the ThermoCall works

The ThermoCall can be easily retrofitted for most cars with a parking heater – regardless of whether it was built in at the factory or installed later on. The small operating module is installed simply and unobtrusively, and you get the maximum in operating convenience.

### ThermoCall Demoverision

You can also download the Webasto ThermoCall App as a demo version and test.

- Apple App Store
- Amazon App Store
- Google Play Store







Webasto offers remote controls with the highest reach for parking heaters – with distance to the competition. This shows the test of the technical control board of Austria in comparison to products of the competition under free field conditions.

## Easy and Convenient: Remote Controls and Preset Timer

Webasto parking heaters not only ensure heating comfort and convenience, they can also be conveniently and easily operated in a wide variety of ways.

Choose from the various operating options.

### MultiControl preset timer



Operate your Webasto parking heater comfortably and intuitively with the new cutting-edge **MultiControl preset timer**. Thanks to the built in automatic timer, you can preprogram up to three preset times per weekday. All the start and stop times that have been programmed and activated are clearly presented. If you prefer, you can also switch your parking heater on directly via the instant-start button.

### Webasto remote controls with the greatest range



The **Telestart T91** is the smallest remote control for parking heaters. It has an on/off function with feedback signal and a range of up to 1,000 meters.



Besides the temperature query and on/off function with feedback, the **Telestart T100 HTM** also offers the opportunity to adjust the desired departure time. The intelligent remote control measures the current interior temperature and calculates the appropriate required heating time. Operating range up to 1,000 meters.



## Our Heaters, Control Units and Add-on Kits

### Technical information and prices for parking heaters:

Type of heater	Thermo Top Evo 4 <sup>1)</sup>	Thermo Top Evo 5 <sup>1)</sup>	Thermo Top Evo 5+
Heat output (kW) Full load/Partial load	4/2.5	5/2.6	5/2.6
Consumption of fuel (l) during a heating phase of 20 min. fully loaded	ca. 0.17	ca. 0.21	ca. 0.21
Power input (W) Full load/Partial load	35/26	46/26	46/26
Price (Euro)			

<sup>1)</sup> With Intelligent Heat Control

### Technical Information:

Overview of models	eThermo Top Eco 20 P	eThermo Top Eco 30 P
Type	Water heater (electric drive)	Water heater (electric drive)
Grid connection (V) (50 Hz)	230	230
Home fuse protection (A)	10 – 13	≥ 16
Heating capacity (kW)	max. 2	max. 3
Run time (h)	max. 2	max. 2
Charging capacity (W)	25 (depending on ambient conditions and thermal load)	25 (depending on ambient conditions and thermal load)
Price (Euro)		

### Prices remote controls:

Type of control element	Timer	Telestart		ThermoCall	
	MultiControl	T91	T100 HTM	ThermoCall Entry	ThermoCall Advanced
Price (Euro)					

### Information and prices add-on kits:

Webasto Individual Quick <sup>2)</sup>		Webasto Individual Select <sup>2) 3)</sup>	
For driving short distances with focusing on interior preheating	50% faster warming of the interior, no engine preheating	For individualists and maximum flexibility in distributing the warmth	Individual approach with app according to interior and engine preheating
Price (Euro)		Price (Euro)	

<sup>2)</sup> Not in combination with Thermo Top Evo 5+ <sup>3)</sup> Only in combination with ThermoCall and app

For installation costs, please ask directly at your Webasto dealer.

## It's This Easy to Get Your Own Parking Heater

When you get a Webasto parking heater, you get the quality of the market leader – and it comes right along with the Webasto specialist.

### Our authorized Webasto installation specialists

Certified Webasto dealers are specially trained to install Webasto parking heaters. More than only good advice, they also provide you with top-notch service.

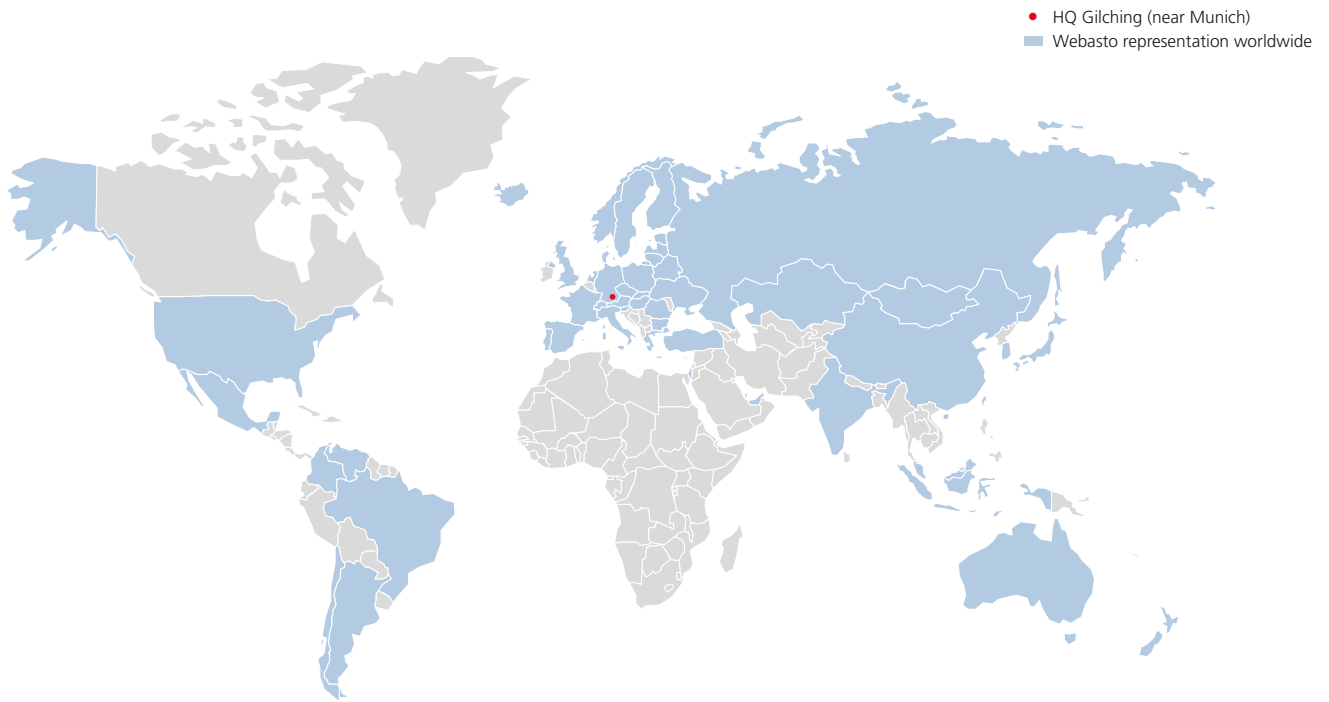
### Go online for your nearest dealer

Go right to parkingheater.com. You will find the nearest Webasto dealer and you can immediately request your individual quote. Make an appointment for the installation and very soon you will be enjoying the total comfort and convenience of a Webasto parking heater in your car.

**Webasto wishes you a pleasant drive!**







Since its foundation in 1901 the Webasto group has continued to set new technological standards in the original equipment and aftermarket sector. Today, we are one of the 100 biggest suppliers in the automotive industry worldwide. We develop and produce roof, convertible as well as heating, cooling and ventilation systems. Our products help provide a better atmosphere on the road, more comfort and security, as well as increased efficiency for cars, commercial and special vehicles, motor homes and boats. An outstanding network of production facilities and dealers guarantees high-quality products, installation standards and services worldwide.